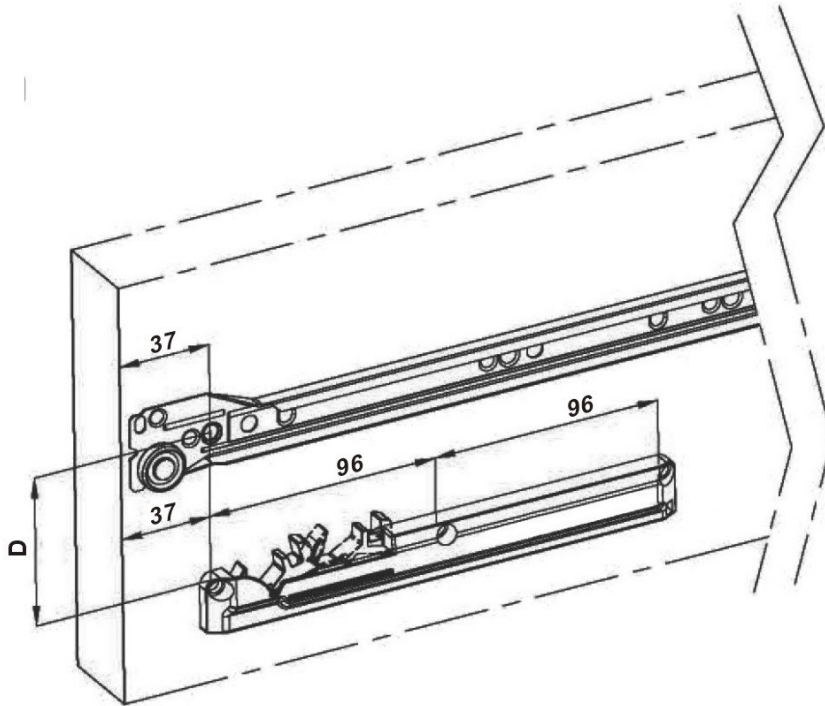


# Uniset Damper

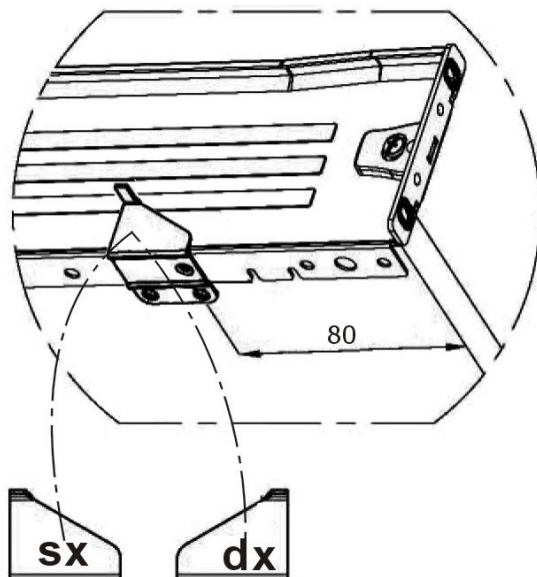
## 1. Installation position of uniset damper on side board



H (uniset height)	D (fixing dimensions)
86mm	66mm <sup>+0.5</sup> <sub>-0.0</sub>
118mm	98mm <sup>+0.5</sup> <sub>-0.0</sub>
150mm	130mm <sup>+0.5</sup> <sub>-0.0</sub>

- \* Damper force approx 5N
- \* Spring force approx 7—10N

## 2. Installation position of metal striking plate



Metal striking plate (Left / Right)

**CODE: OSMK-1WH (White)**  
**OSMK-1GY (Grey)**

**1 set including:**

- Plastic damper (sx) 1 pc
- Plastic damper (dx) 1 pc
- Metal striking plate(sx) 1 pc
- Metal striking plate(dx) 1 pc
- Screw  $\Phi 3.5 \times 16$ mm 10 pcs